

NOVOS 5 x

Room operating unit temperature

thermokon[®]
HOME OF SENSOR TECHNOLOGY

Datasheet

Subject to technical alteration
Issue date: 04.04.2024 • A140

novos



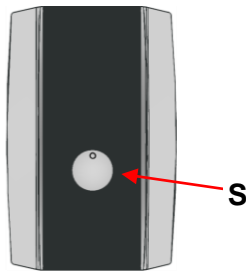
*with designcover (left), standard design cover pure white (right)

» APPLICATION

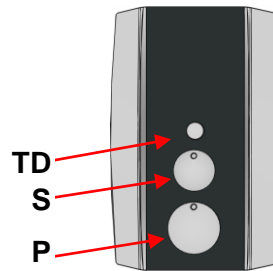
Room operating unit with recording room temperature. The maintenance-free sensor creates the conditions for a pleasant indoor climate and well-being. Typical applications are schools, office buildings, hotels, cinemas or similar.

» TYPES AVAILABLE

Room operating unit temperature – passive
NOVOS 5 S <Sensor>



NOVOS 5 PSTD <Sensor>



TD: Button + Diode | S: Rotary switch | P: Potentiometer | <Sensor>: optional PT100/PT1000/Ni1000/Ni1000TK5000/NTC10K...other sensors on request

» SECURITY ADVICE – CAUTION



The installation and assembly of electrical equipment should only be performed by authorized personnel.

The product should only be used for the intended application. Unauthorised modifications are prohibited! The product must not be used in relation with any equipment that in case of a failure may threaten, directly or indirectly, human health or life or result in danger to human beings, animals or assets. Ensure all power is disconnected before installing. Do not connect to live/operating equipment.

Please comply with

- Local laws, health & safety regulations, technical standards and regulations
- Condition of the device at the time of installation, to ensure safe installation
- This data sheet and installation manual

» PRODUCT TESTING AND CERTIFICATION



Declaration of conformity

The declaration of conformity of the products are available on our website
<https://www.thermokon.de/direct/en-gb/categories/novos-5-x>

» NOTES ON DISPOSAL



The crossed-out wheellie bin symbol indicates that the product or removable batteries must not be disposed of with household or commercial waste. Within the EU, you are legally obliged to dispose of the product separately and appropriately in accordance with the national laws of your country. Alternatively, please contact your supplier or Thermokon Sensortechnik GmbH. Further information can be found at: www.thermokon.com

» MOUNTING ADVISE ROOM SENSORS

The Accuracy of the room sensors are influenced by the technical specifications as well as the positioning and the installation type.

During Assembly:

- Seal mounting box (if present).
- Installation type, air draught, heat source, radiation heat or direct sunlight can affect the measurement.
- Bulding material specific properties of the installation place (*brick-, concrete-, partition wall, cavity wall, ...*) can affect the measurement.

Assembly not recommendet in...

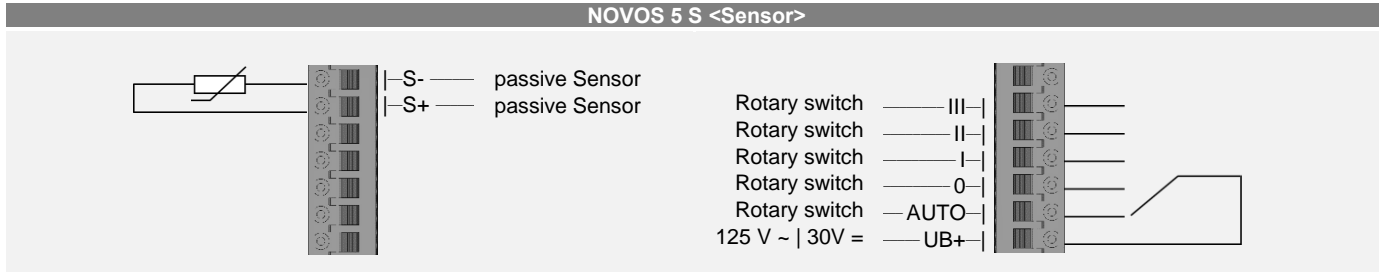
- Air draught (e.g.: close to windows / doors / fans ...)
- Near heating sources,
- Direct sunlight
- Niches / between furniture / ...

» TECHNICAL DATA

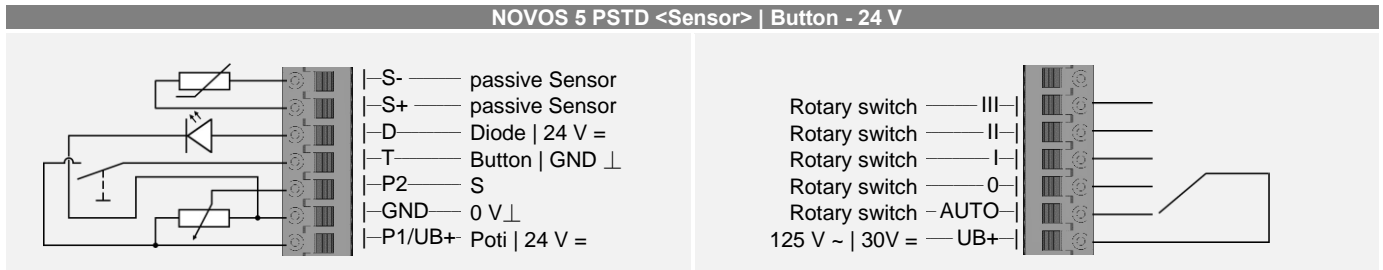
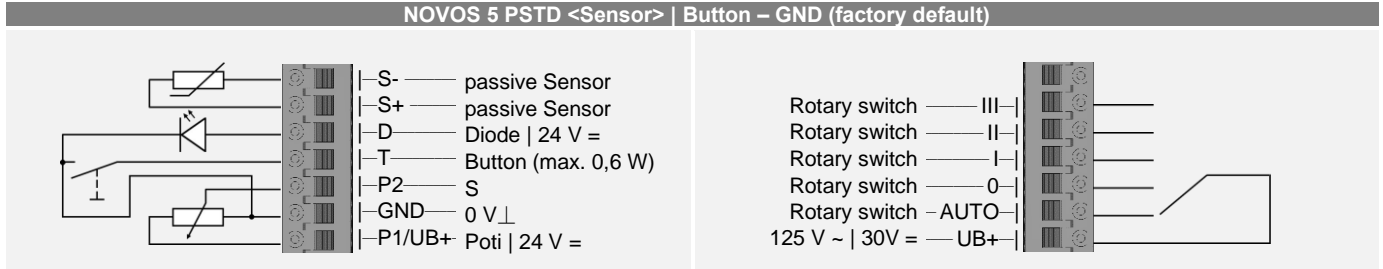
Measuring values	temperature			
Output passive (optional)	PT100 PT100 1/3 DIN PT1000 PT1000 1/3 DIN Ni1000 Ni1000TK5000 NTC10k			
Measuring range temperature	-35..+70 °C -31..+158 °F			
Accuracy temperature See „Information passive sensors“	PT100 PT1000 ±0,3 K (typ. at +32°F, Kl.B)	Ni1000 ±0,4 K (typ. at +32 °F)	Ni1000TK5000 ±0,4 K (typ. at +32 °F)	NTC 10K ±0,22 K (typ. at +77 °F)
Set point (P)	potentiometer, 3-wire connection, default value 10 kΩ (for other values please request)			
Rotary switch (S)	for fan stage adjustment (max. 5 stages), 5-stages (auto,0,I,II,III), 2-stages (0,I), 3-stages (0,I,II), 4-stages (0,I,II,III), switching capacity max. 125 V~ (0,3 A) 30 V= (1 A)			
Button (T)	for presence detection, with LED (TD), switching capacity max. 600 mW			
LED (D)	for status feedback, color can be set via jumpers (from 7 colours)			
Sensor	2-wire			
Enclosure	PC V0, pure white, design cover pure white, other colours on request			
Protection	IP30 according to DIN EN 60529			
Cable entry	rear entry, breaking points bottom, drill mark top			
Connection electrical	tool-free mountable spring terminal, max. AWG16			
Ambient condition	-35..+70 °C, max. 85% non-condensing			
Mounting	surface mounted on flush-mounting box (Ø=2.36 in. 60 mm) or to be mounted flat onto the surface using screws, base part can be mounted and wired separately			
Notes	other temperature sensors on request			

» CONNECTION PLAN

Room temperature sensor- passive

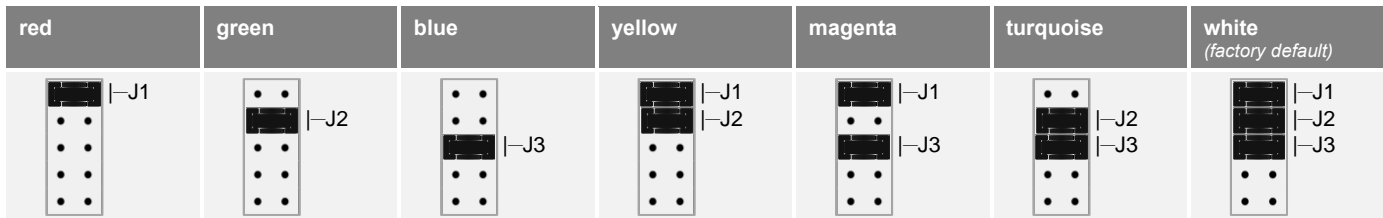
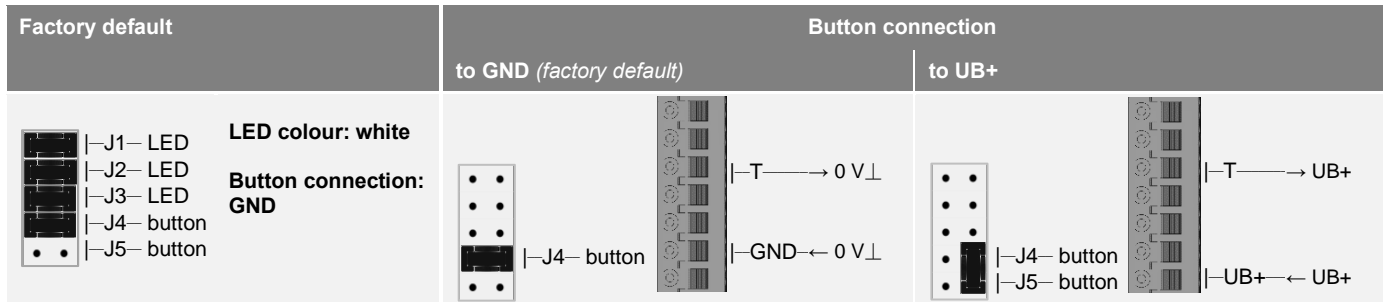


The wiring of the button can be changed via a jumper (see button terminal assignment under configuration).
 P1 / UB +: Pay attention to the nominal load of the potentiometer of 0.25 W. With 10 kΩ, for example, 24 V can be regulated.



» CONFIGURATION (TYPE PSTD)

The jumper setting will select the color of the LED and the control of the button.



» MOUNTING ADVICES

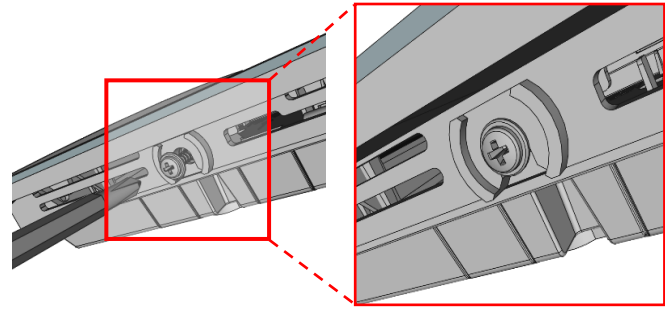
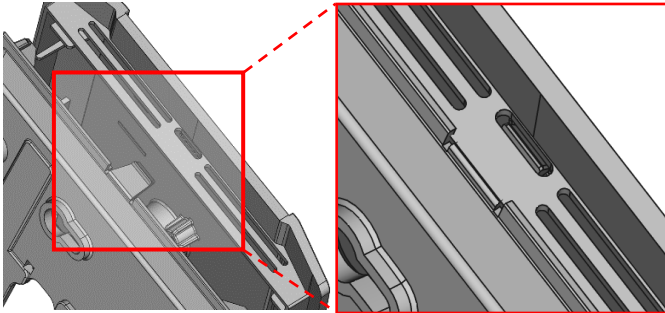
Please make sure that the device is de-energized if you want to install it!

The installation can be performed on the flat wall surface or on a flush-mounted box. A representative place should be selected. Sunshine and draft, e.g. in the installation tube should be avoided, so that the measurement result is not falsified. Seal the end of the installation tube.

- For wiring, the upper part of the device must be removed from the base plate. Base plate and upper part are detachably connected to each other by means of locking lugs.
- The mounting of the base plate on the flat wall surface is done with rawplugs and screws.
- Finally, the device is attached to the base plate and fixed with the screw.

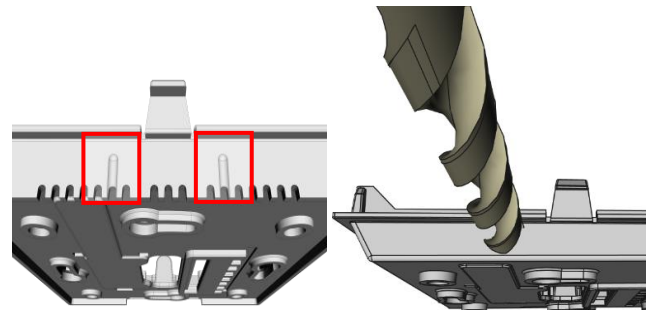
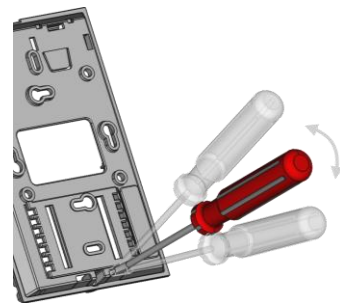
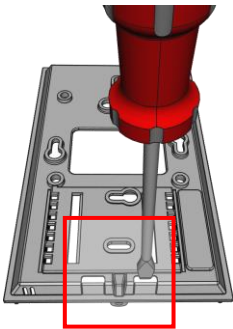
Housing open / close

Snap the upper part of the housing into the locking lug on the upper side Fix the upper part of the housing on the underside with the screw included in the delivery.



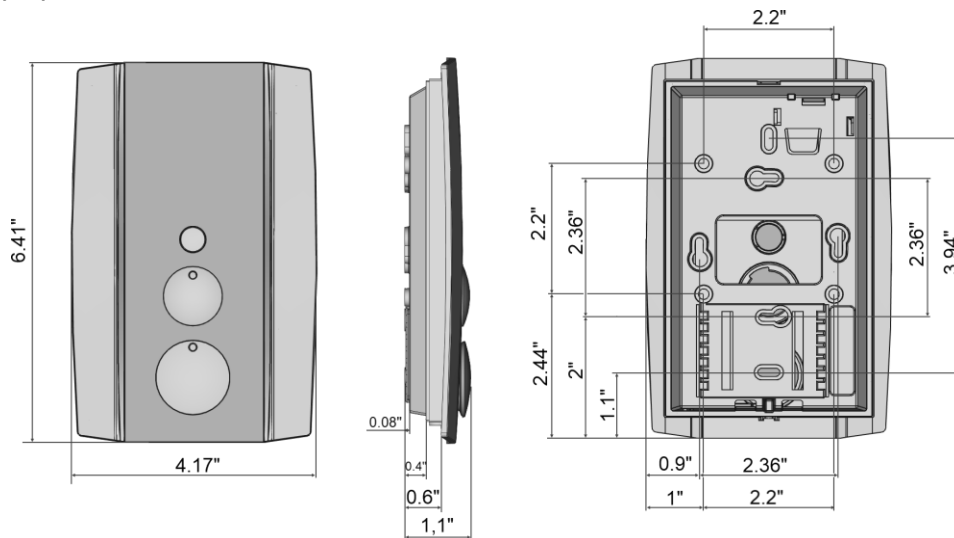
Cable entry

There are predetermined breaking points for 2 optional cable entries on the underside of the base plate. On the upper side of the base plate there are 2 grits as position for a drill hole max. Ø 6 mm | ¼"



When using a drill, you should absolutely ensure that the base plate is firmly clamped. Before drilling, the pressure must be reduced and carefully drilled. A sudden break-through of the drill bit can be the result.

» DIMENSIONS (IN.)



» ACCESSORIES (OPTIONAL)

Rawplugs and screws (2 pcs. each)

Item No.: 102209