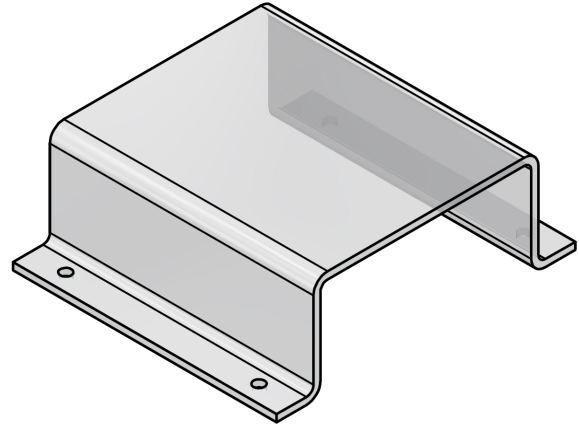


Ball stroke protection BS150

Dataheet

Subject to technical alteration
Issue date: 21.03.2022 • A120



» TECHNICAL DATA IN DETAIL

PU	1 piece
Material	PMMA (PLEXIGLAS® XT 0A000)
Properties	UV-opaque
Description	Ball stroke protection for protection of sensors against accidental damage. Accessory for NOVOS3, WRF04, FTW04, USE series devices

Dimensions (mm)

